

The power behind your lights

Brief Information

Powermax™
Technology Inside

24W

Waterproof Power Supply (C.V.)

Model JLV-12024KA-ES / JLV-24024KA-ES

Input 200-240V AC

Output 12VDC 2A 24W / 24VDC 1A 24W

Product Features

- High transfer efficiency & Power Factor
- High Power Factor (>0.9)
- Stable constant voltage output
- IP67, both indoor & outdoor use suitable
- 100% full loading, 100% burn-in tested
- Overload/short circuit protection



Model: JLV-12024KA-ES Size: 187x45.7x22.3mm
JLV-24024KA-ES



MAIN ELECTRICAL DATA

AC Input

Input Voltage	200-240V
Input Frequency	50/60Hz
Efficiency (Typ.)	84%
Input Current	230V: 0.15A max.
Inrush Current	50A
Leakage Current	5mA/230VAC

DC Output

Output Voltage	12V	24V
Rated Current	2A	1A
Rated Power	24W	24W
Ripple & Noise (Max.)	<200mVp-p	<200mVp-p
Setup, Rise Time	1500ms/230VAC	1500ms/230VAC
Line Regulation	1%	1%
Load Regulation	1%	1%

Service Environment

Working Temp.	-25°C~50°C
Working Humidity	20~99%RH
Storage Temp.	-40°C~80°C
Storage Humidity	10~99%RH

Protection

Overload	Yes, cut-off mode, output shuts down if 4-25% overloaded, automatic recovery
Short Circuit	Yes, cut-off mode, recovers automatically after fault condition is removed

Safety

Safety Standard	EN 61347-2-13
Withstand Voltage	I/P-O/P: 3000VAC/1min/<5mA
Isolation Resistance	I/P-O/P: >100M Ohms / 500VDC / 25°C / 70%RH

Standards

EN 55015:2019+A11:2020	EN 61000-3-2:2019+A1:2021
EN 61347-2-13:2014+A1:2017	EN 61000-3-3:2013+A1:2019+A2:2021
EN 61347-1:2015+A1:2021	EN 61547: 2009
EN 62493:2015	

Packaging Information

Product Dimension	187x45.7x22.3mm
Products Net Weight	300G
PCS/Carton(QTY)	40 PCS
Master Carton Size	37x25.5x25.5cm
G. Weight/ Carton	13.7KG

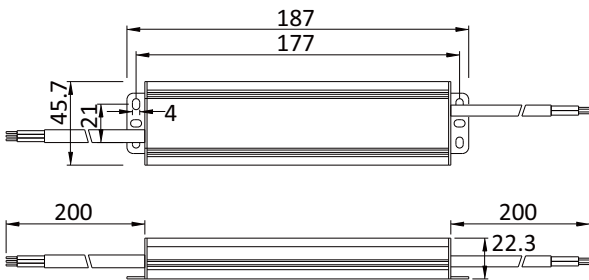
Installation Tips:

- Please identify the power supply's input and output before installation.
- Ensure correct output + & - wire connection. Power on after wire connection is done.
- To avoid voltage drop and loading capacity wasting on the output extension wire, please install the power supply to the loading as near as possible, if must use long extension wires, thicker wires and less loading wattage is required.
- The power supply to be installed at good ventilation and cooling environment.

The power behind your lights

Physical Drawing

Unit: mm



Brief Information

Powermax™
Technology Inside

24W

Waterproof Power Supply (C.V.)

Model JLV-12024KA-ES / JLV-24024KA-ES

Input 200-240V AC

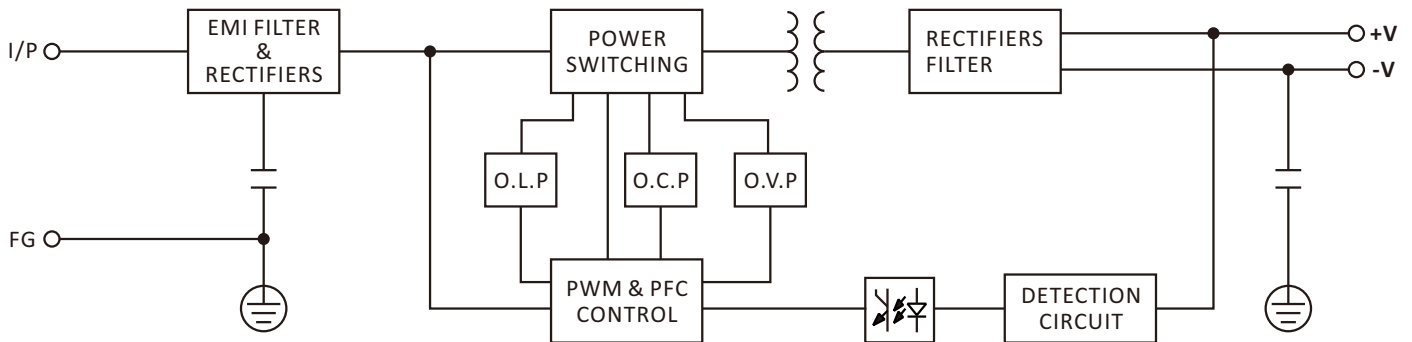
Output 12VDC 2A 24W / 24VDC 1A 24W

Input: 3x1.0mm² wire, Brown L, Blue N
300mm length

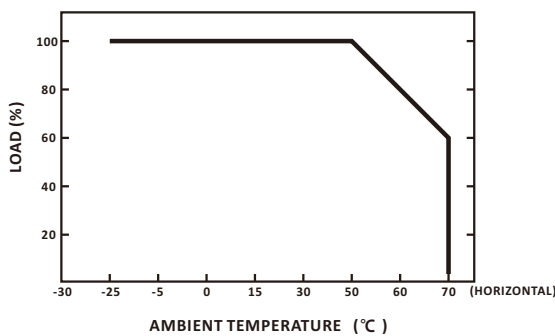
Output: 2x0.75mm² wire, Red +, Black -
300mm length

Housing: Aluminium

Block Diagram



Derating Curve



Static Characteristics

